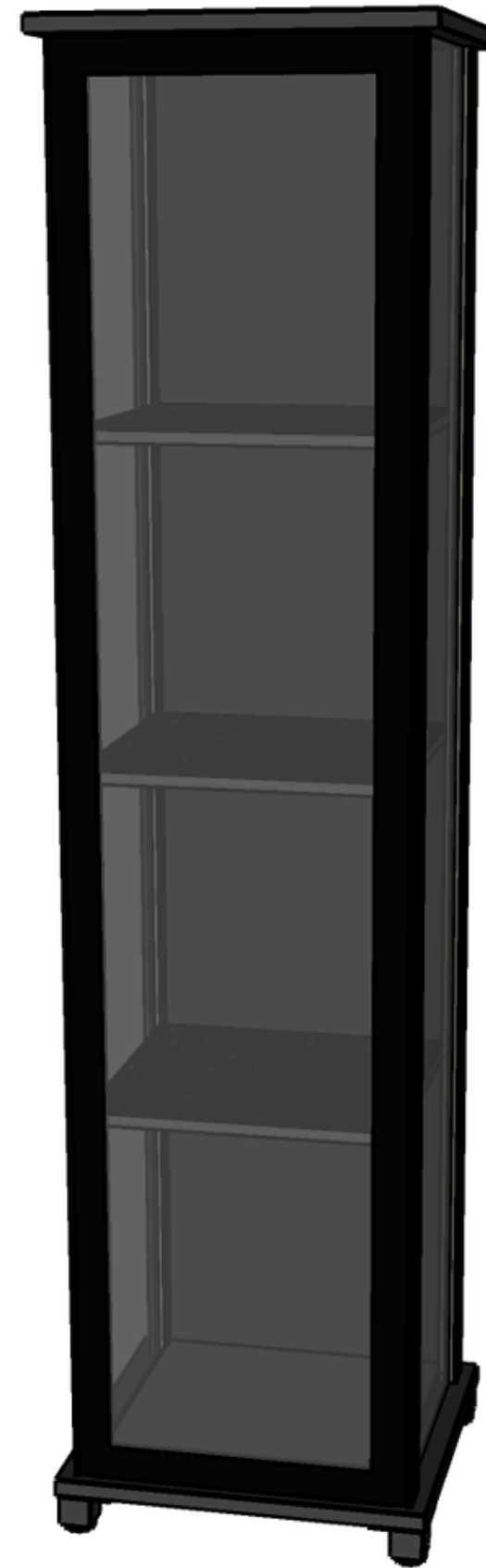


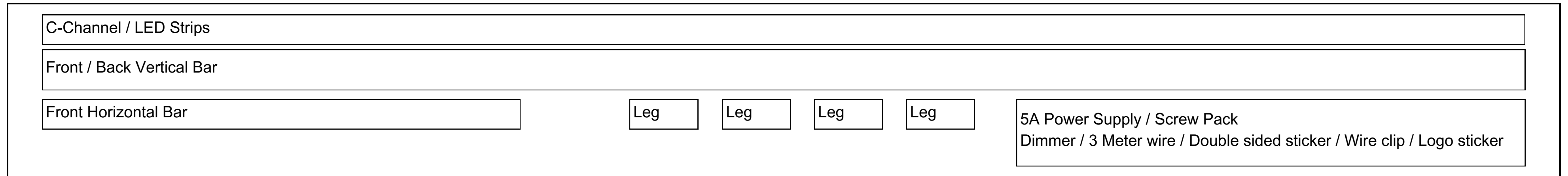


Bespoke Showcase Engineers

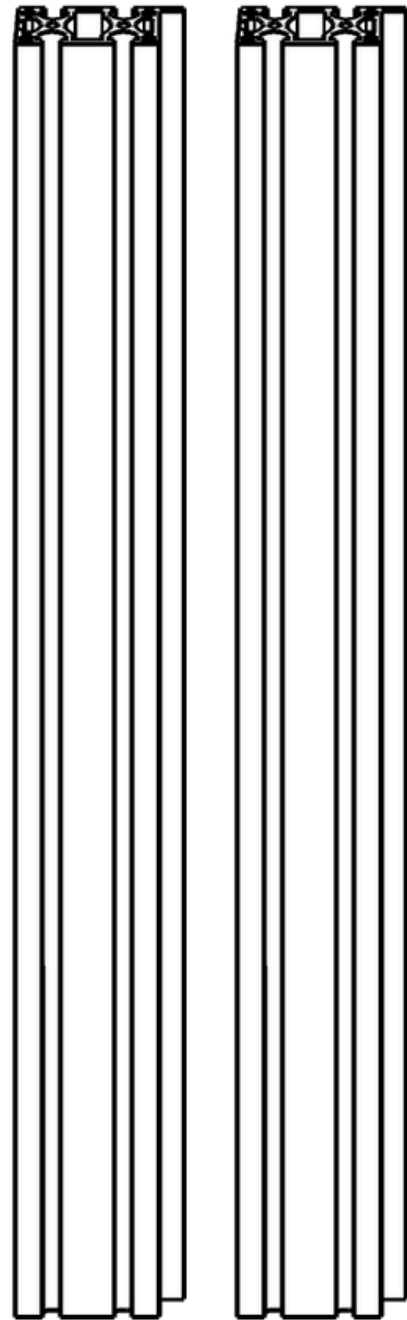
**MONO Display
Assembly**

Version 1.0

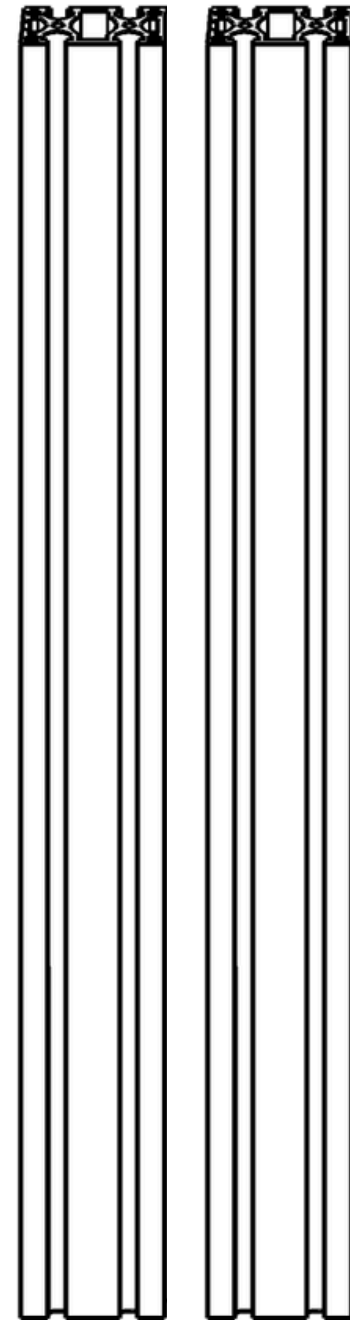




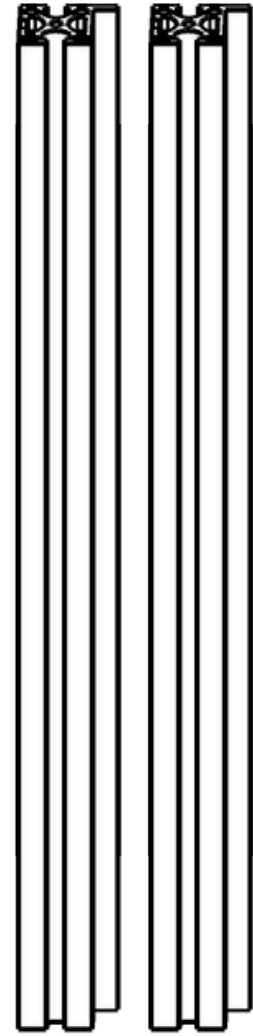
Front
Vertical Bar x 2



Back
Vertical Bar x 2



Front Horizontal
Bar x 2



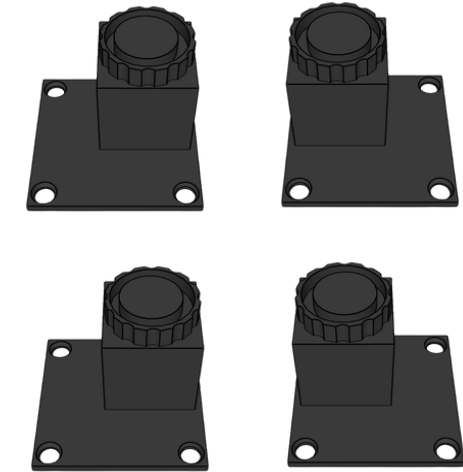
Vertical C-
Channel x 4

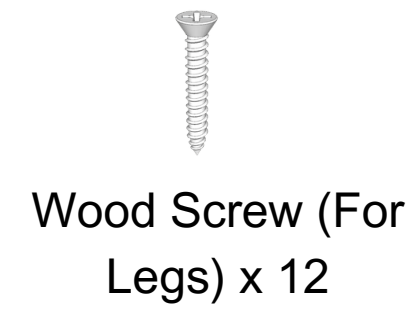
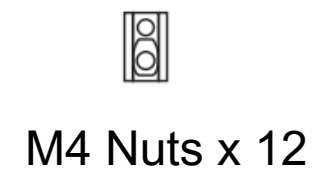
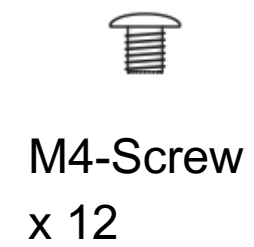
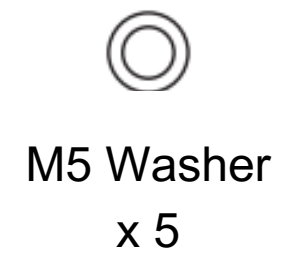
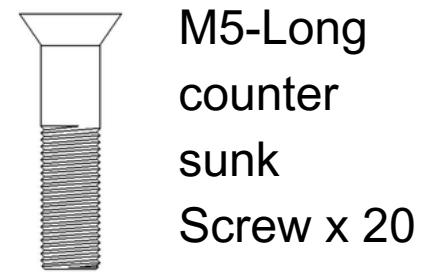
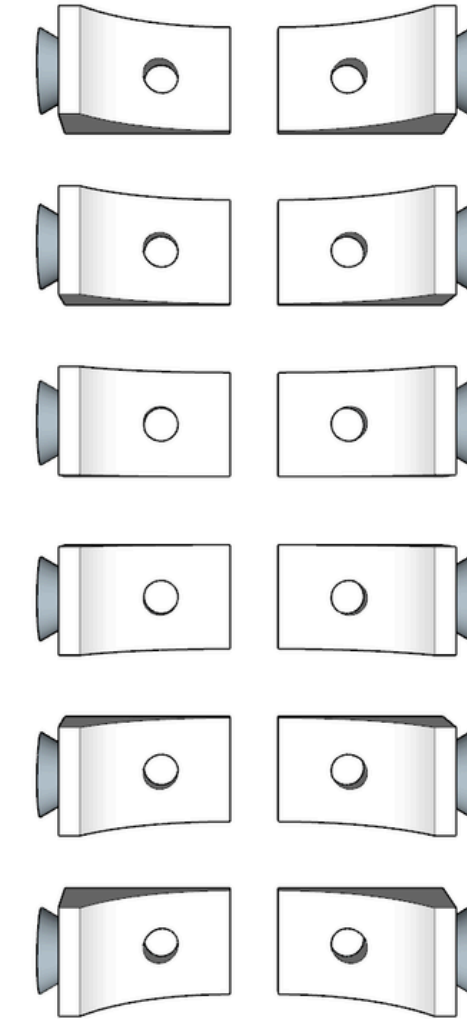


Conduit x 1

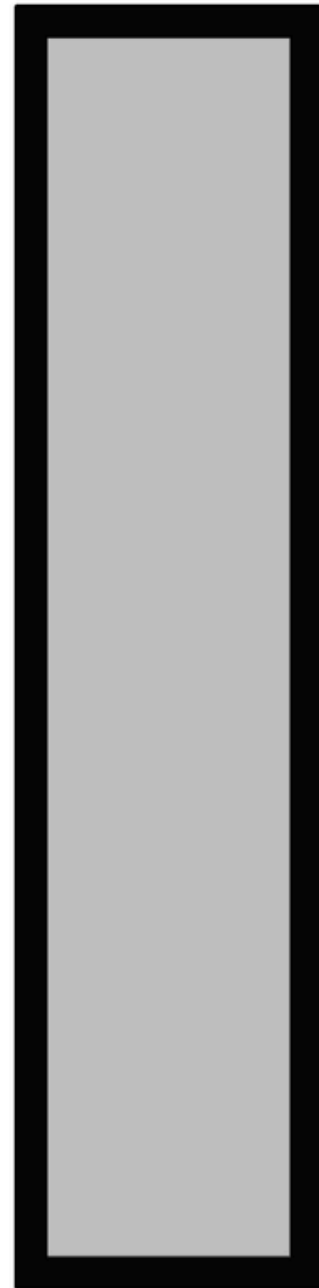


Adjustable Legs x 4

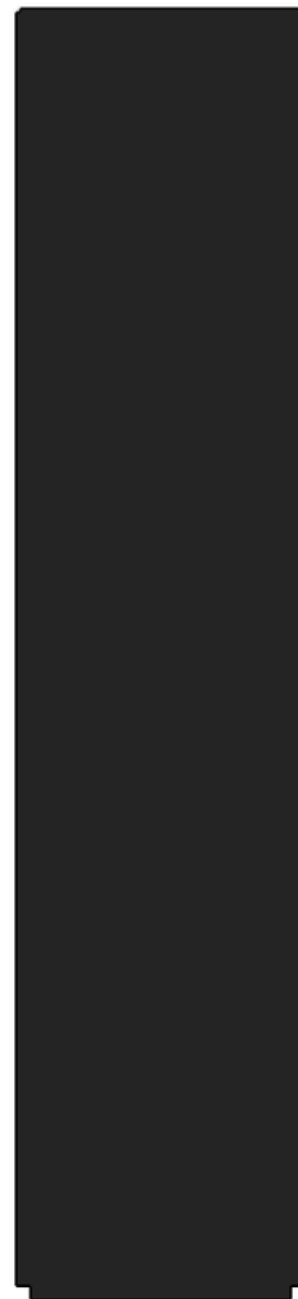




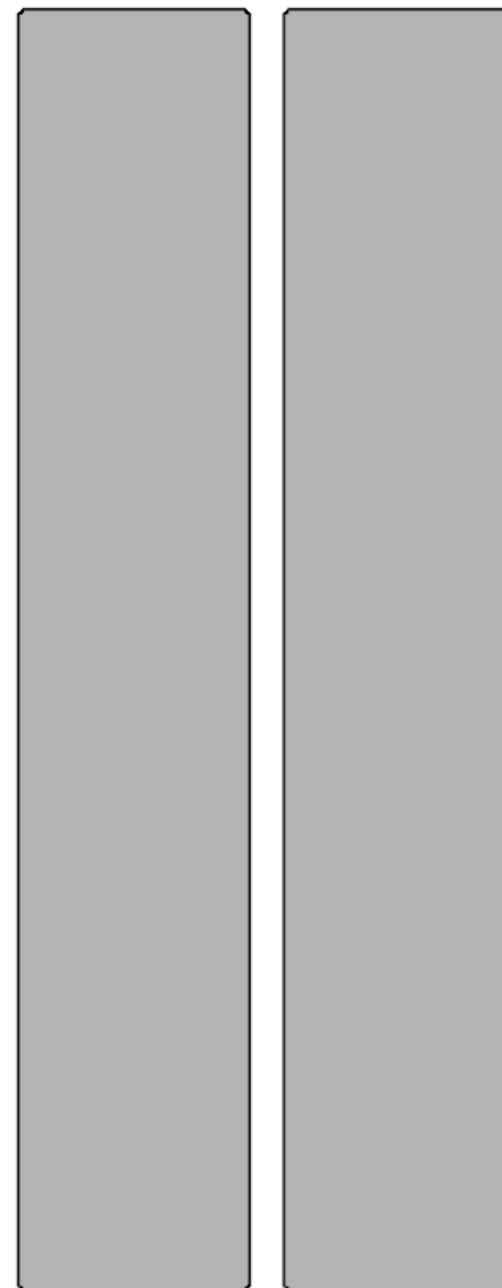
Front Panel x 1



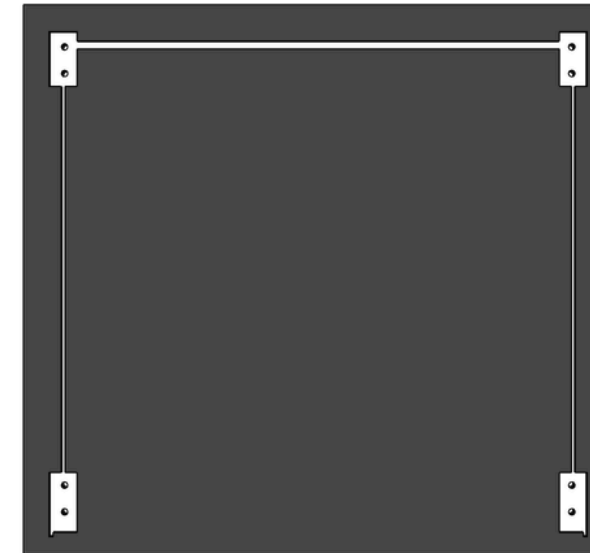
Back Panel x 1



Side Panels x 2



Top Panel x 1

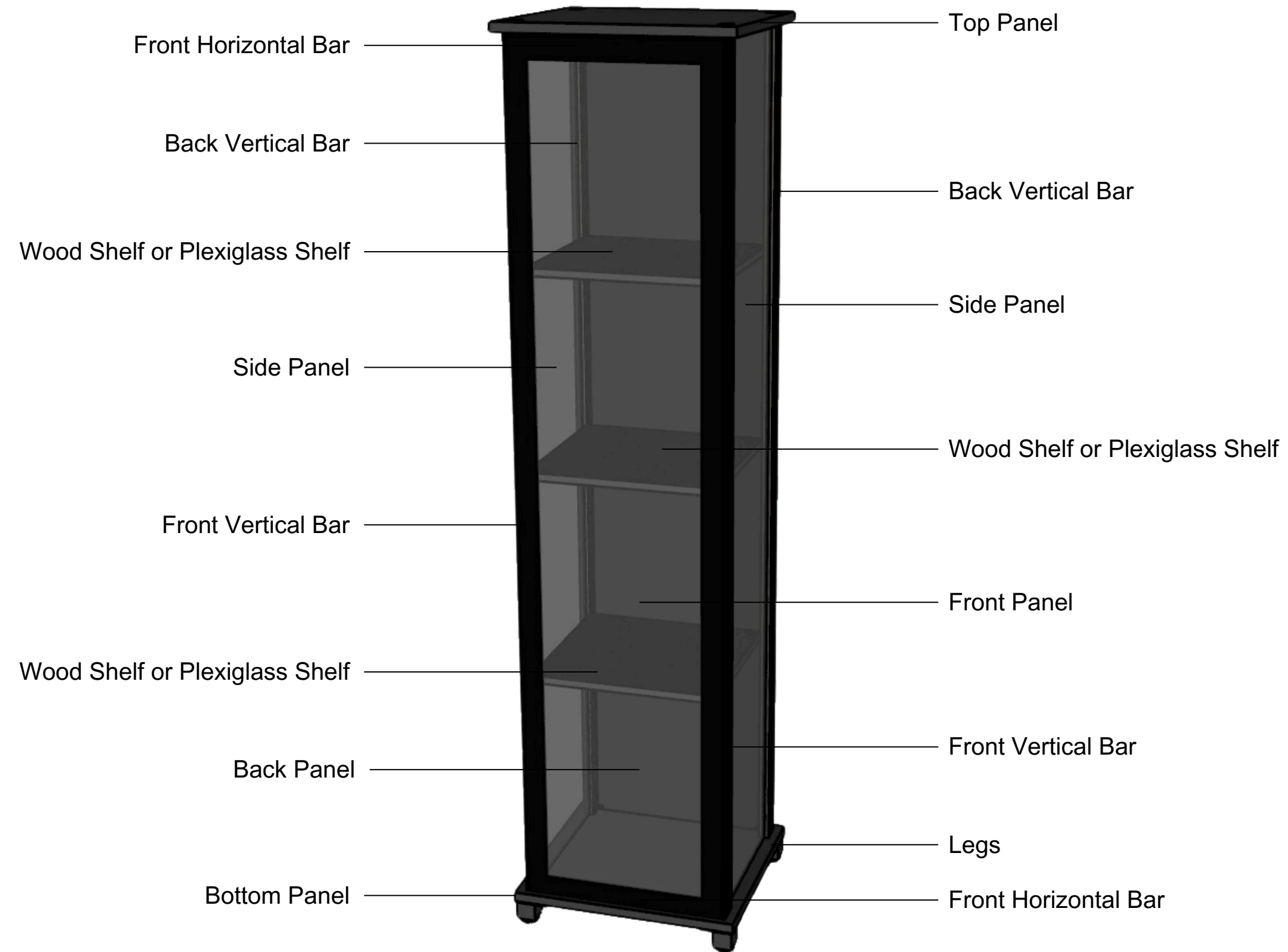


Bottom Panel x 1



Wood Shelves x 3 or Clear Plexi Glass x 3



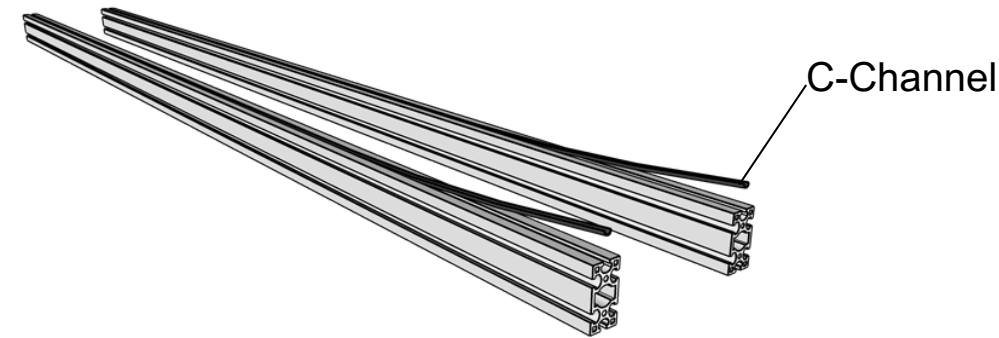


You will need

- Front Vertical Bars x 2
- Back Vertical Bars x 2
- C-channel x 4

Steps to install C-Channel

- Step 1.** Flatten one end of the C-Channel by pressing the open edges together.
- Step 2.** Push the compressed tip into the slit of the bar.
- Step 3.** Press down the rest of the C-Channel along the slit of the bar

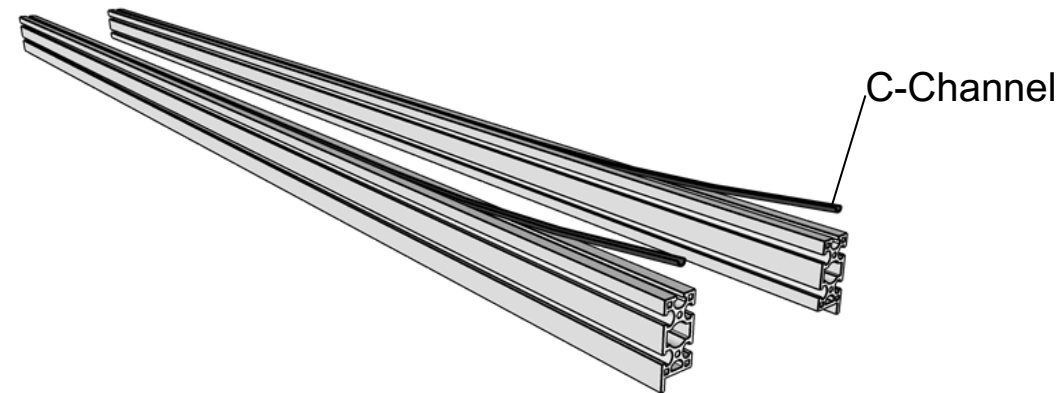


Back Vertical Bar

Position the bar on any side. Install a Vertical C-Channel into the top slit of the bar. Repeat for all bars.

Front Vertical Bar

Position the bar on any side. Install a Vertical C-Channel into the top slit of the bar. Repeat for all bars.

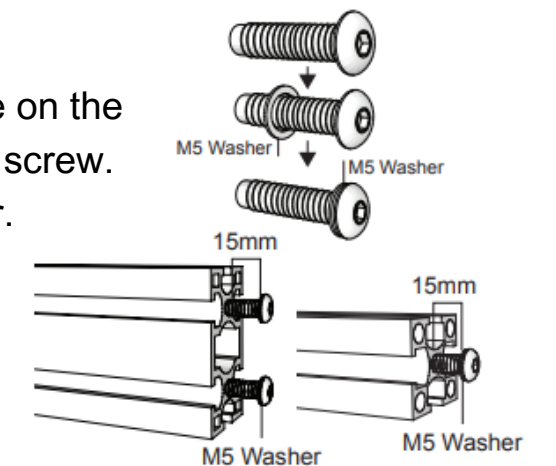


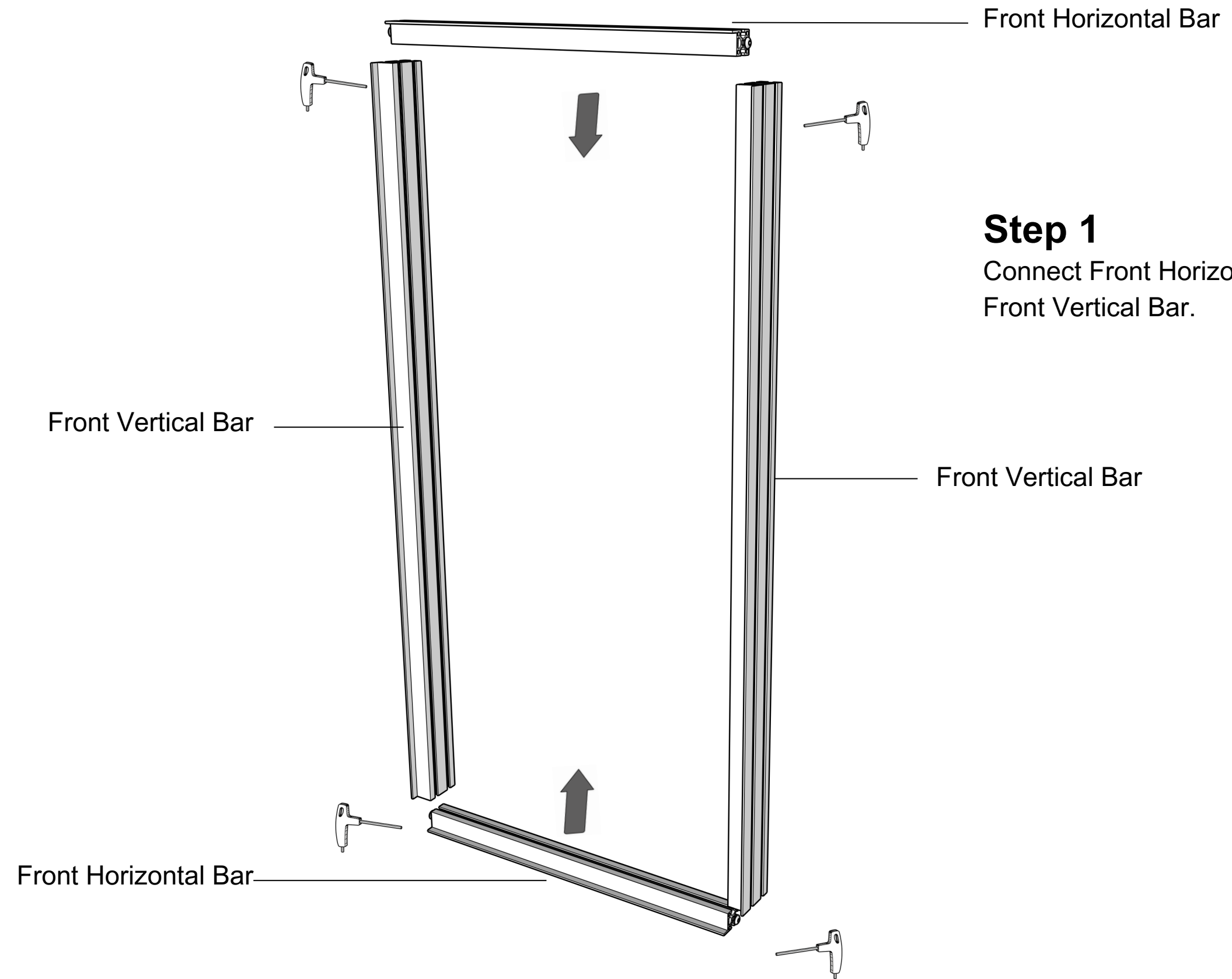
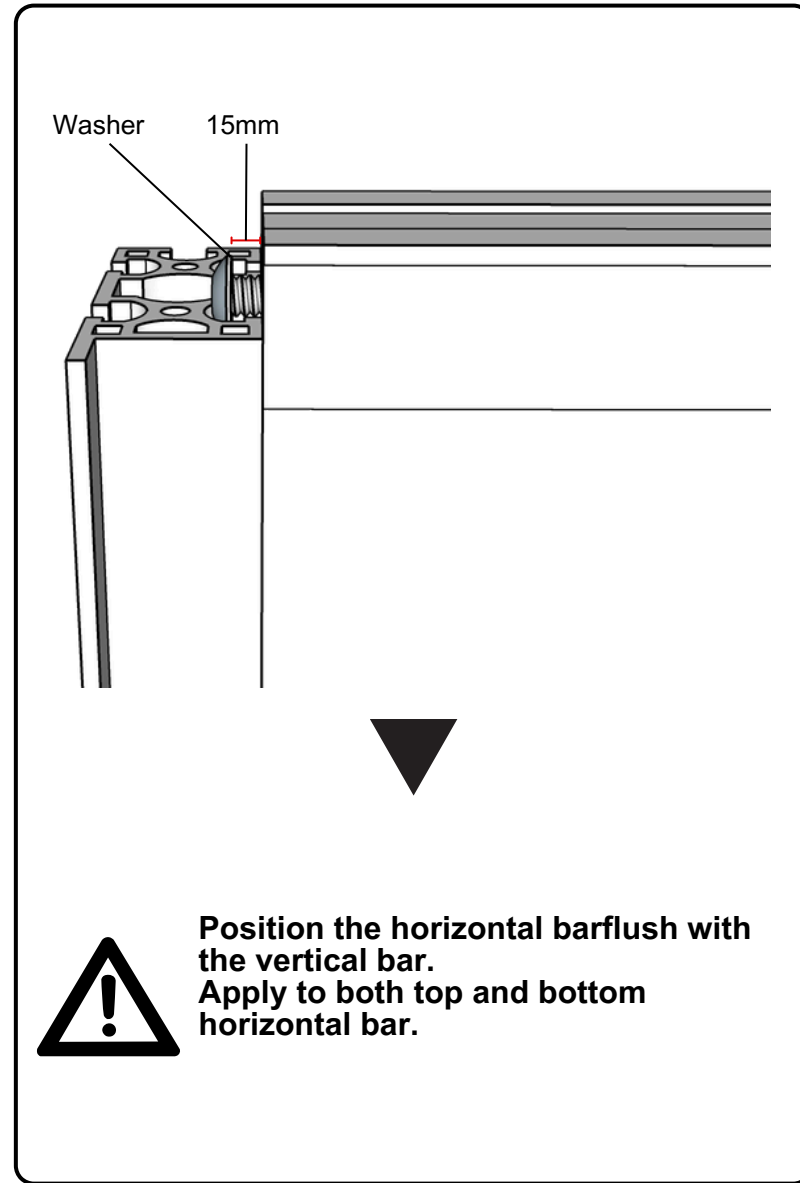
You will need

- M5-Long Screw x 4
- M5-Washer x 4
- Front Horizontal Bars x 2

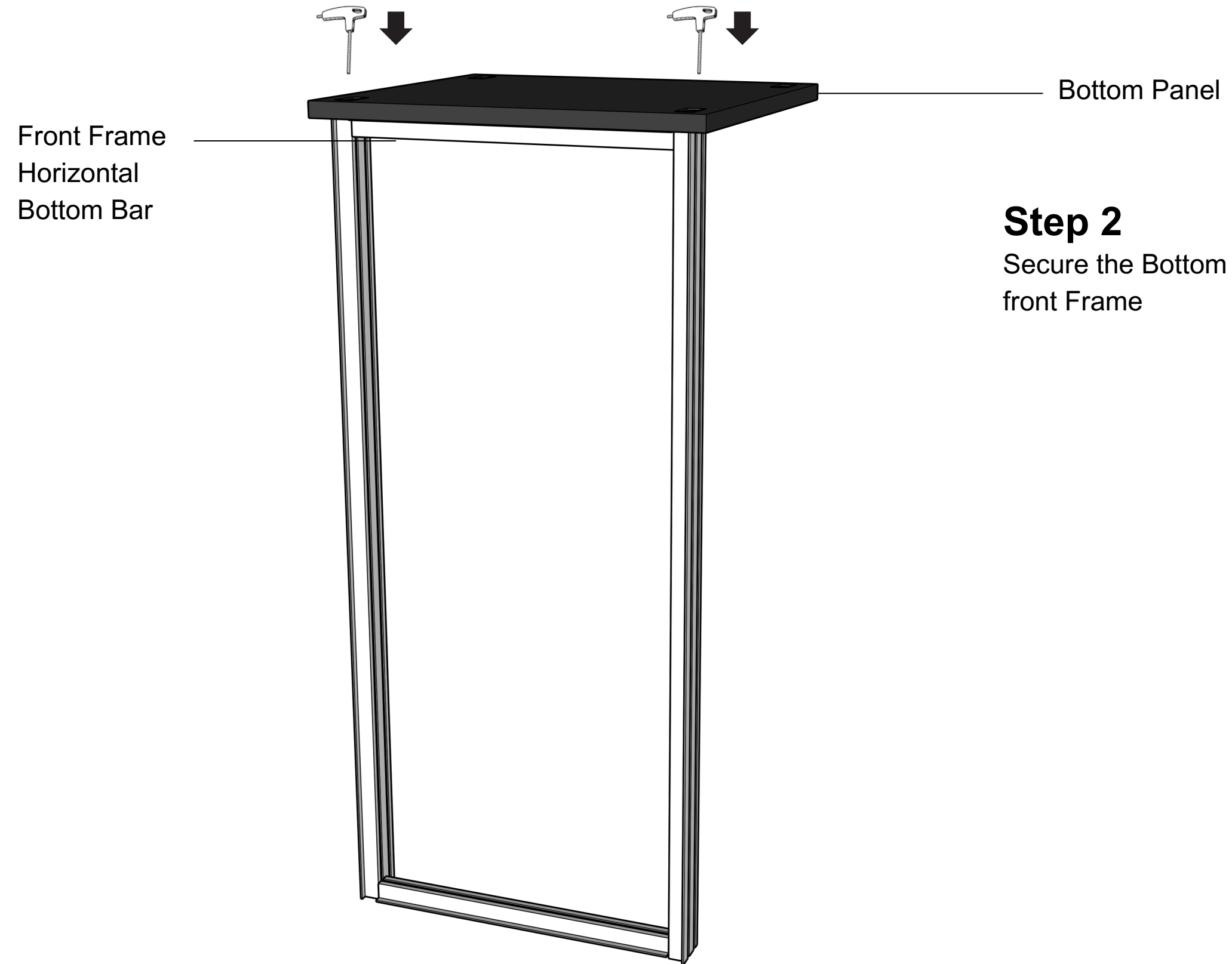
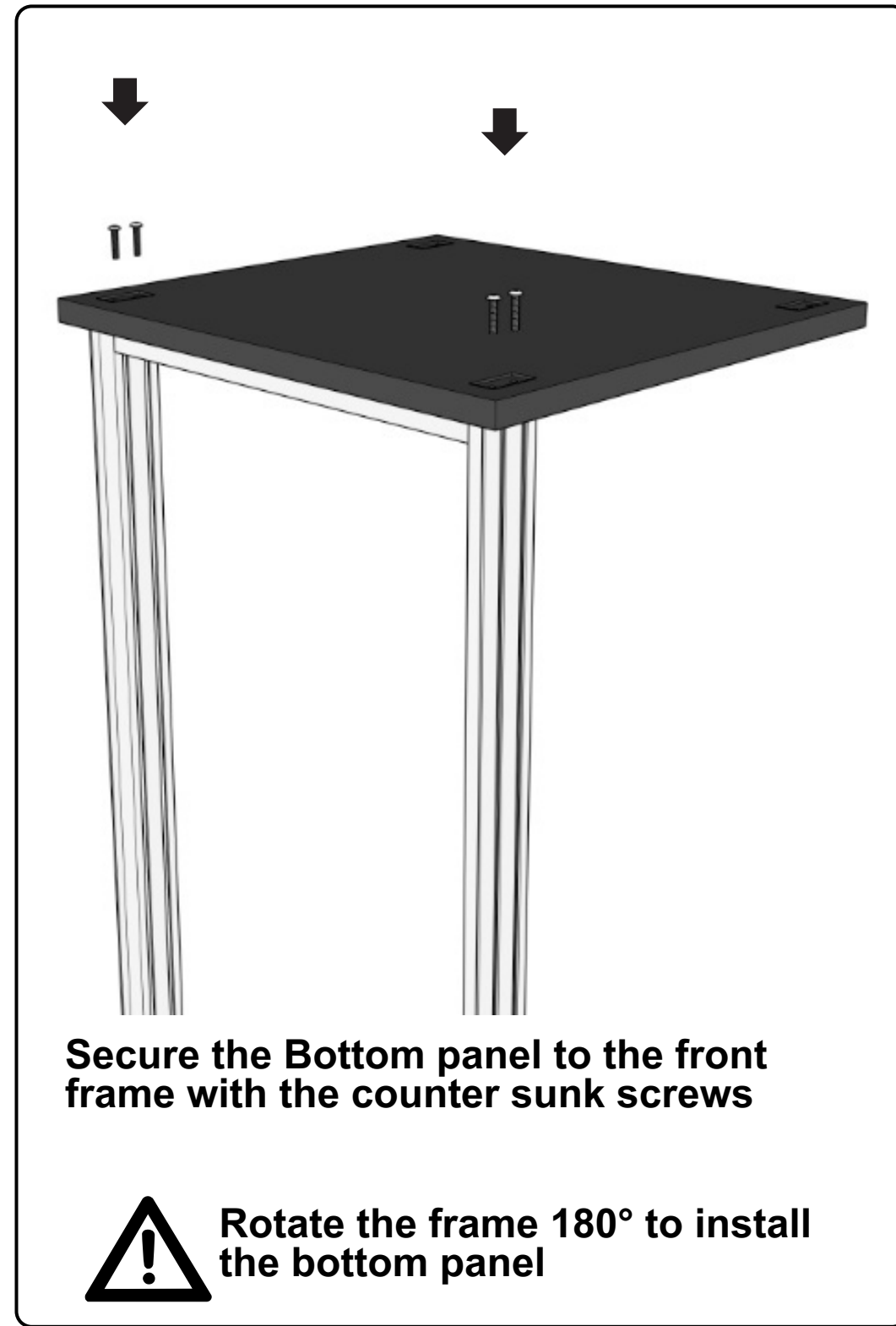
Steps to insert M5-Long Screw

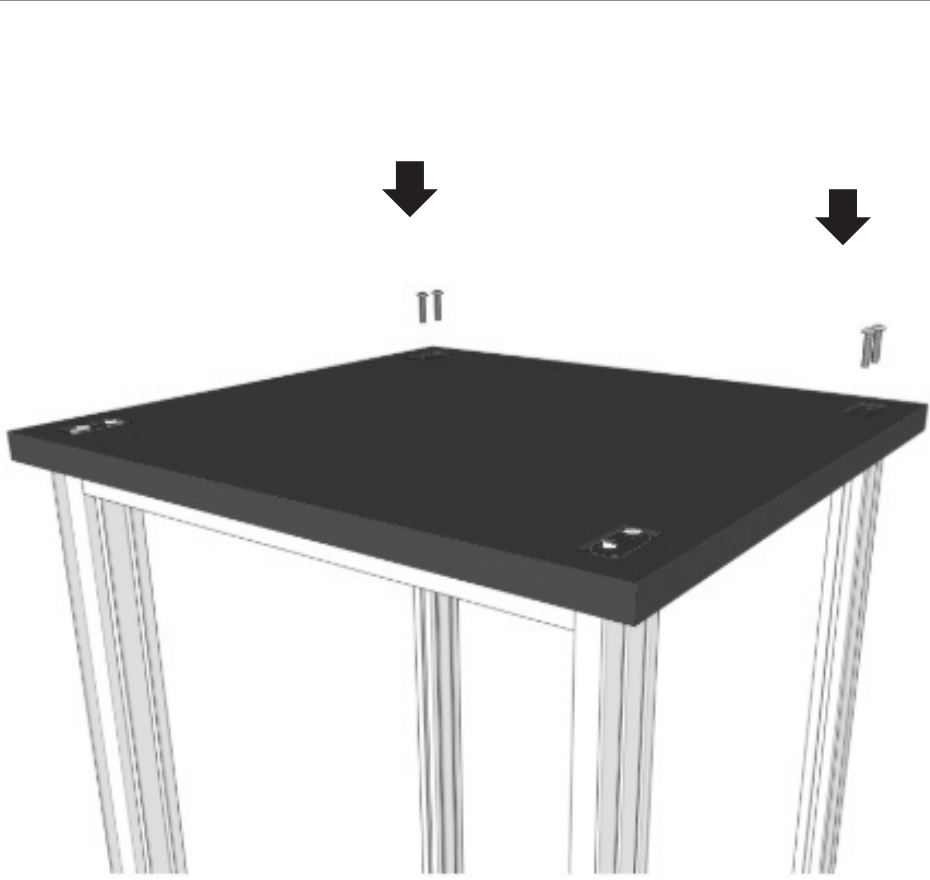
- Step 1.** Insert the M5-Long Screw fully into the M5-Washer.
- Step 2.** Position the screw with washer into the pilot hole on the left side of the bar. Turn clockwise to tighten the screw. Leave a 15mm gap between the washer and bar.
- Step 3.** Repeat steps 1-2 for the other side of the bar.
- Step 4.** Repeat steps 1-3 for
- Front Horizontal Bars x 2





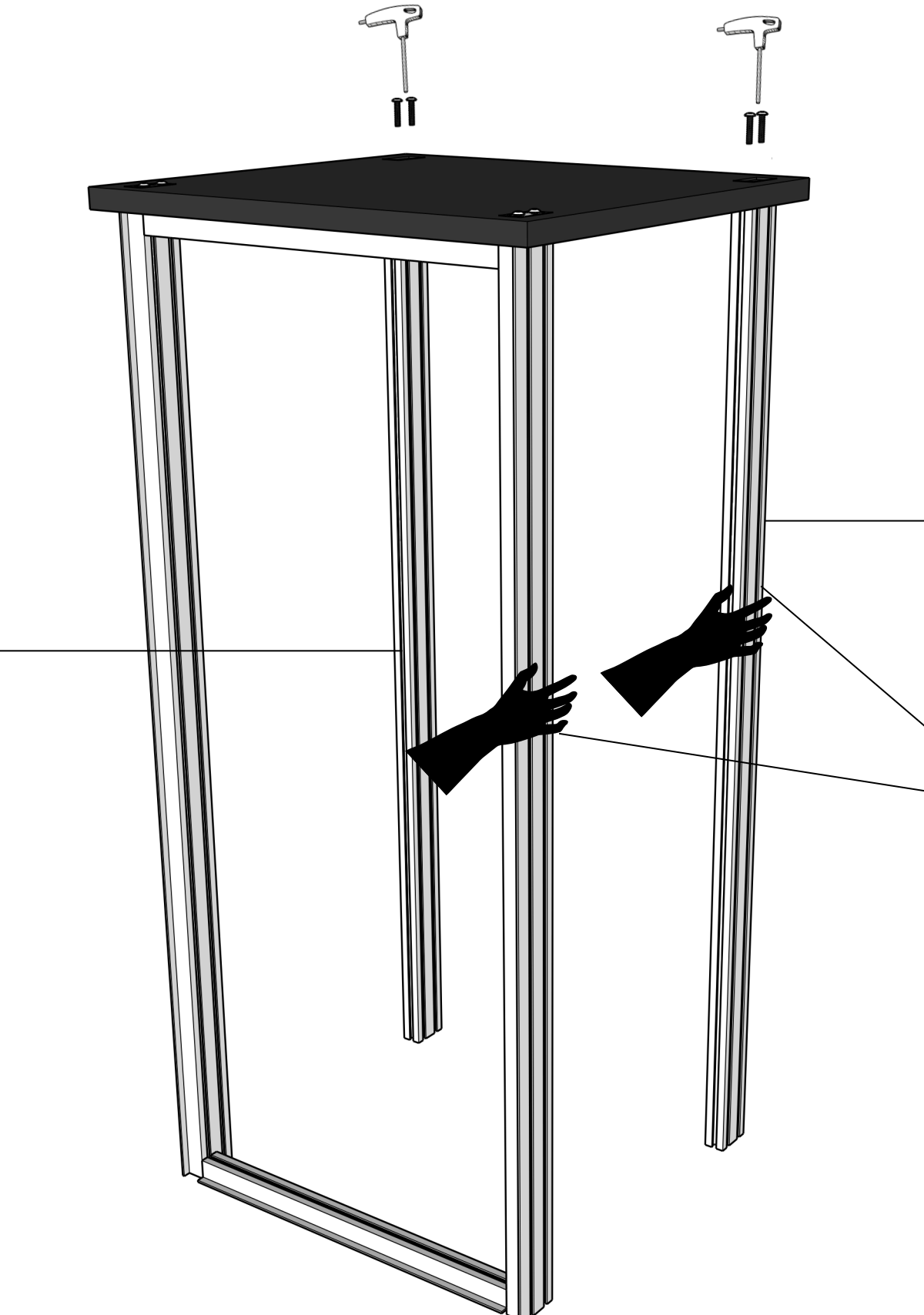
Step 1
Connect Front Horizontal Bar to Front Vertical Bar.





Secure the Bottom panel to the Back Vertical Bar, the counter sunk screws

After securing the back vertical bar, rotate 180° so that the bottom panel is seating on the floor. Caution! when rotating.

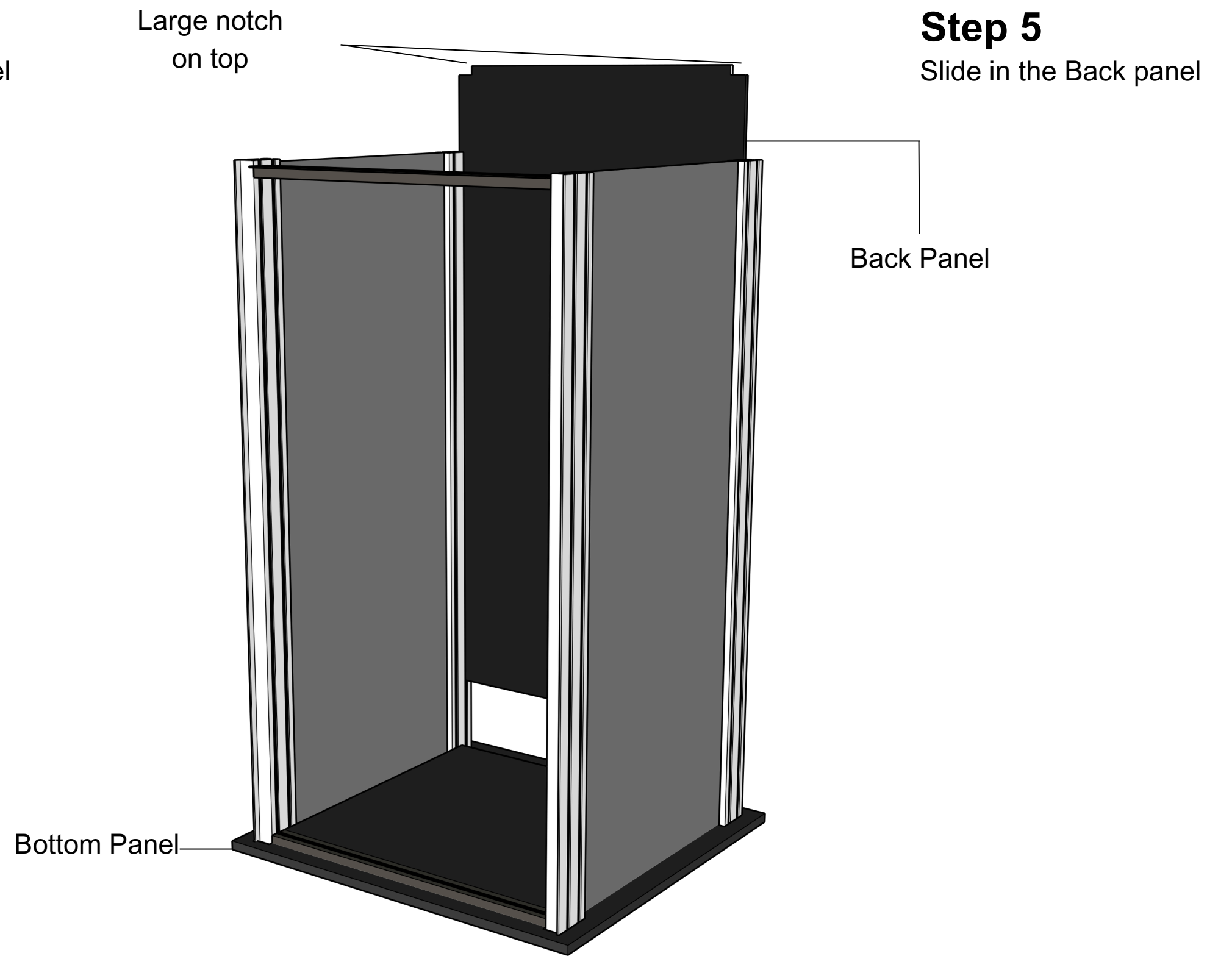
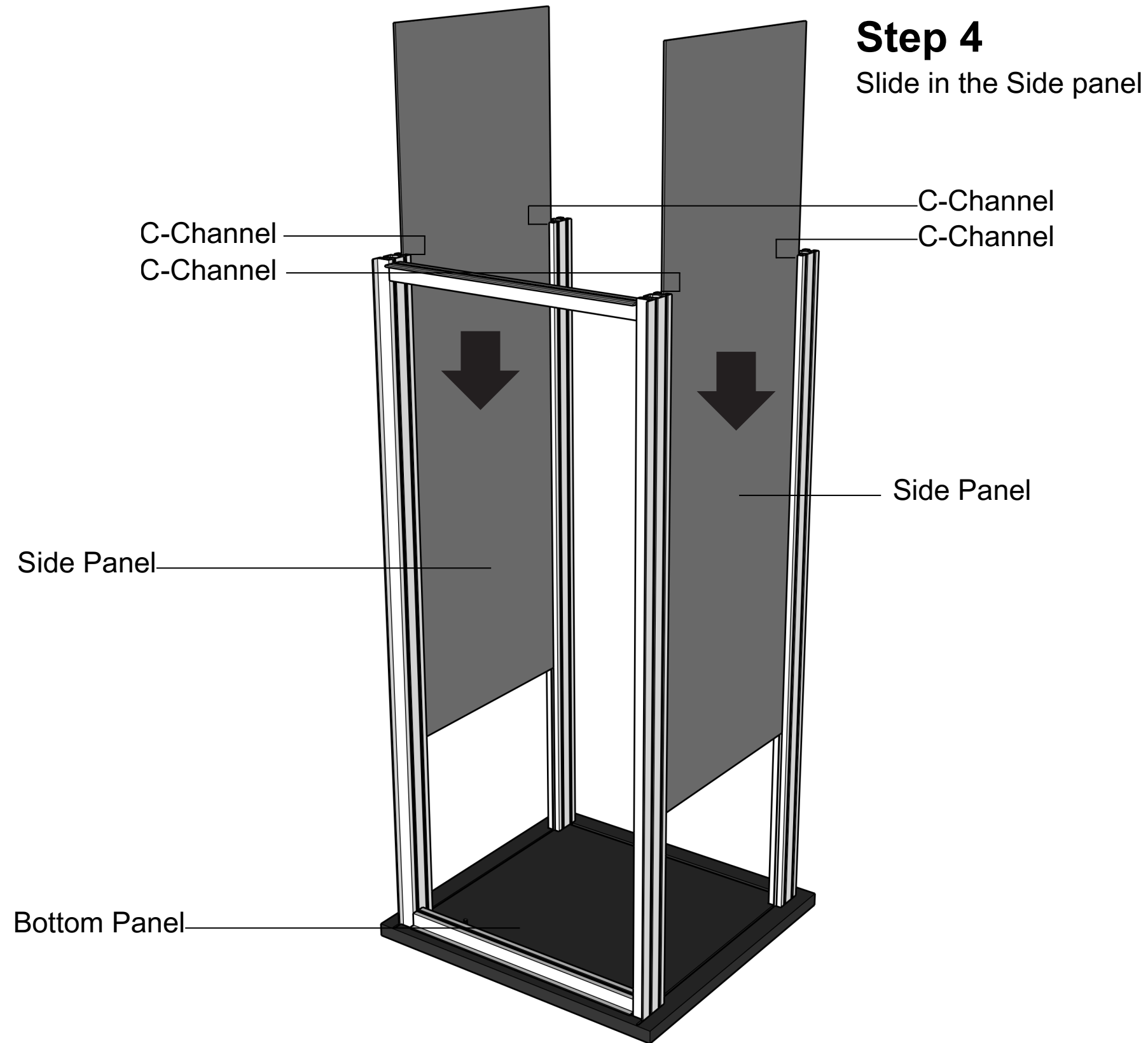


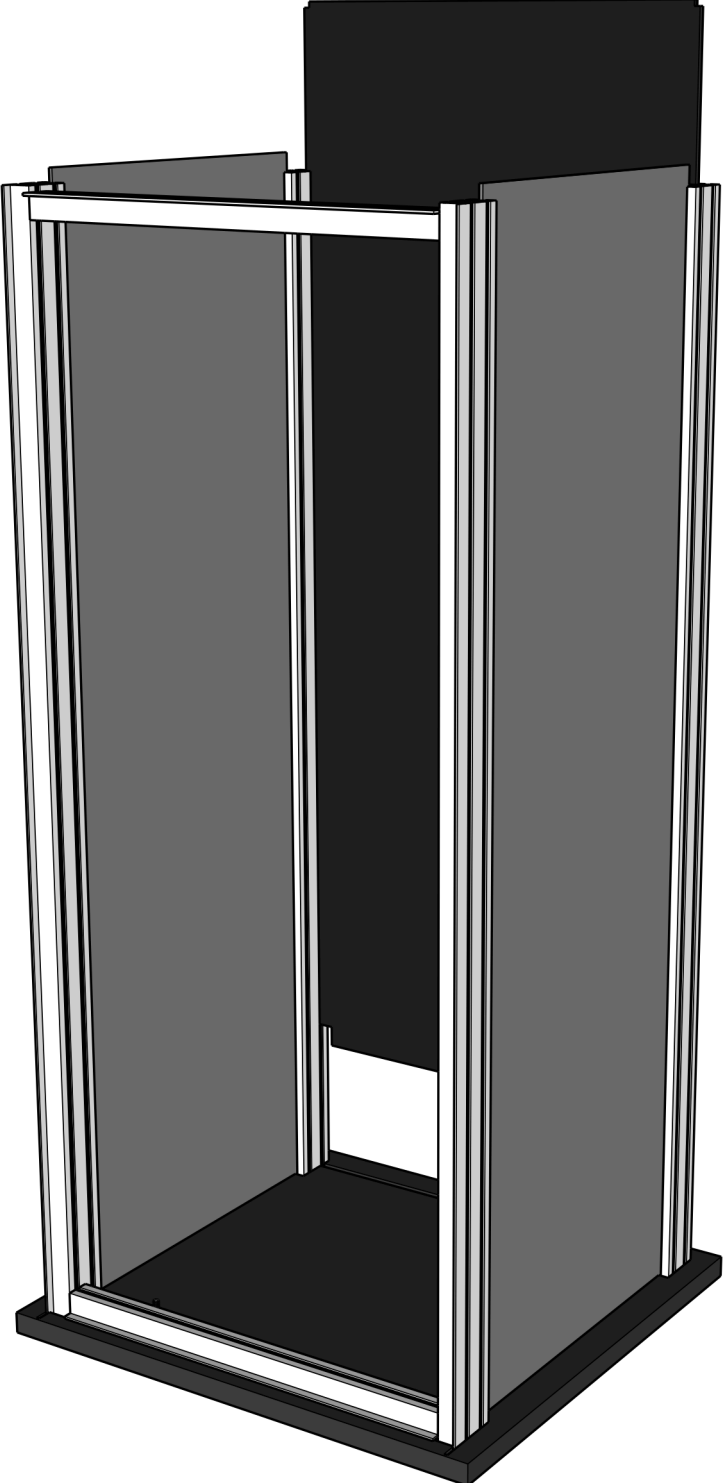
Step 3
Secure the Bottom panel

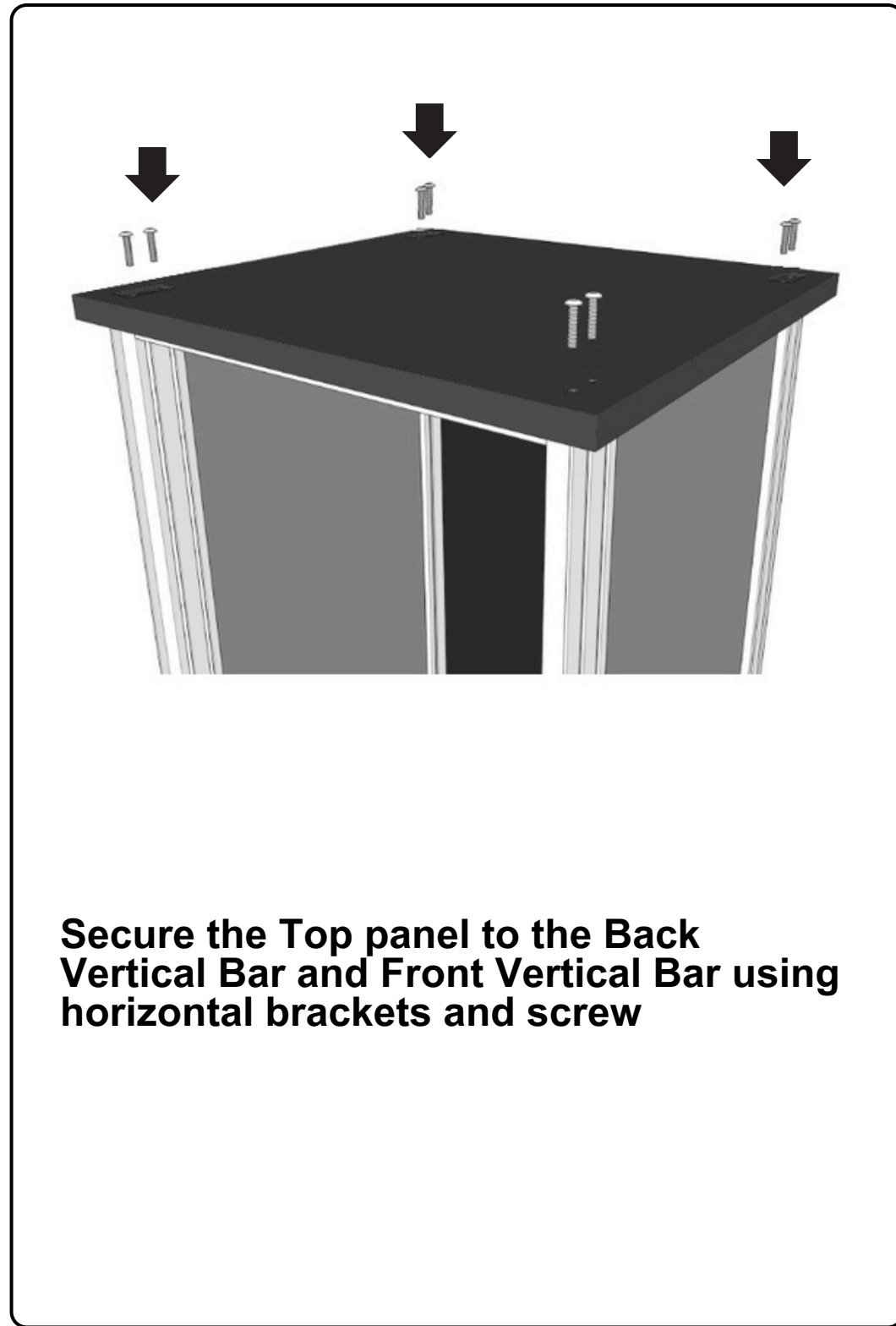
Back Vertical Bar

Back Vertical Bar

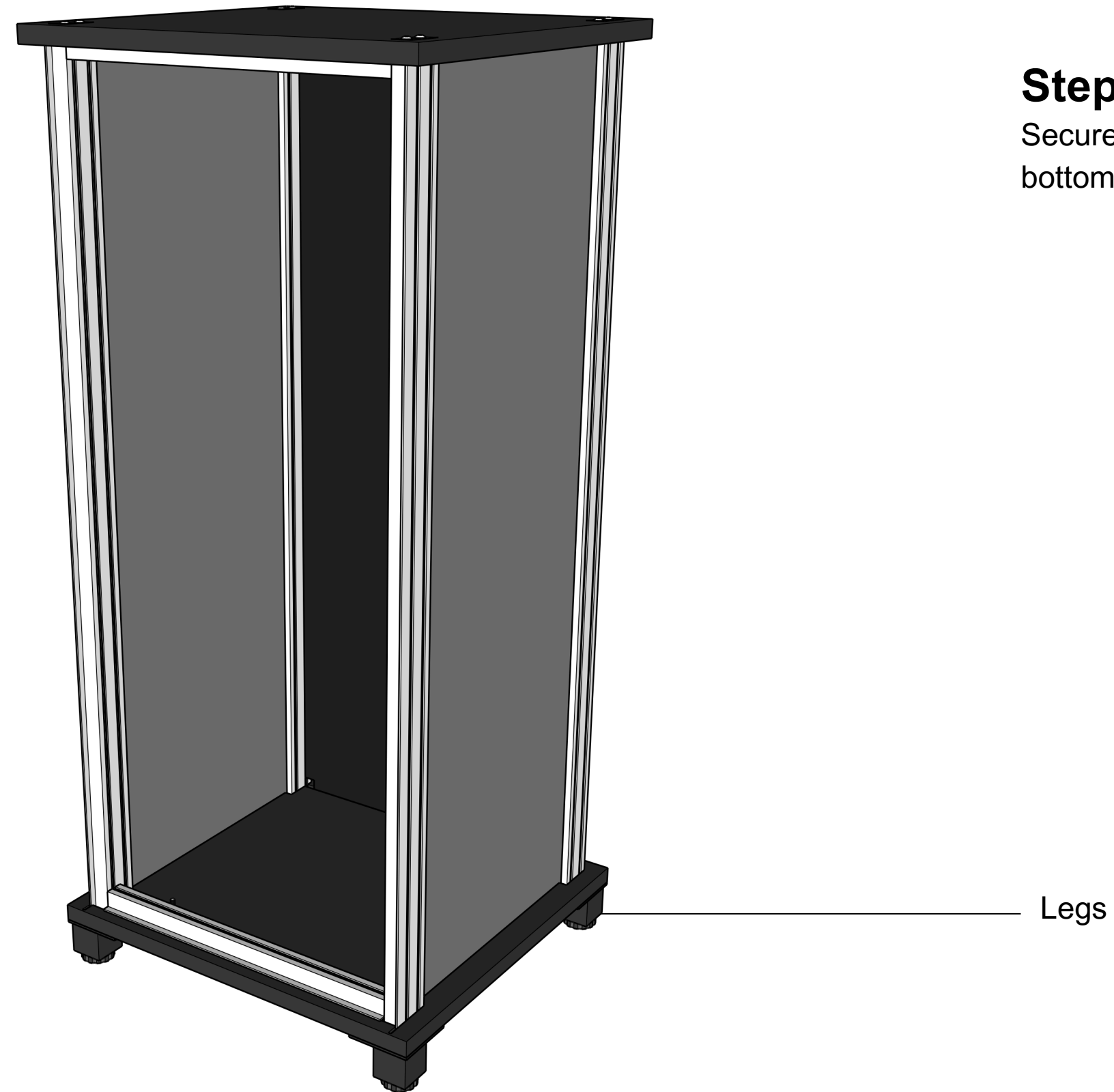
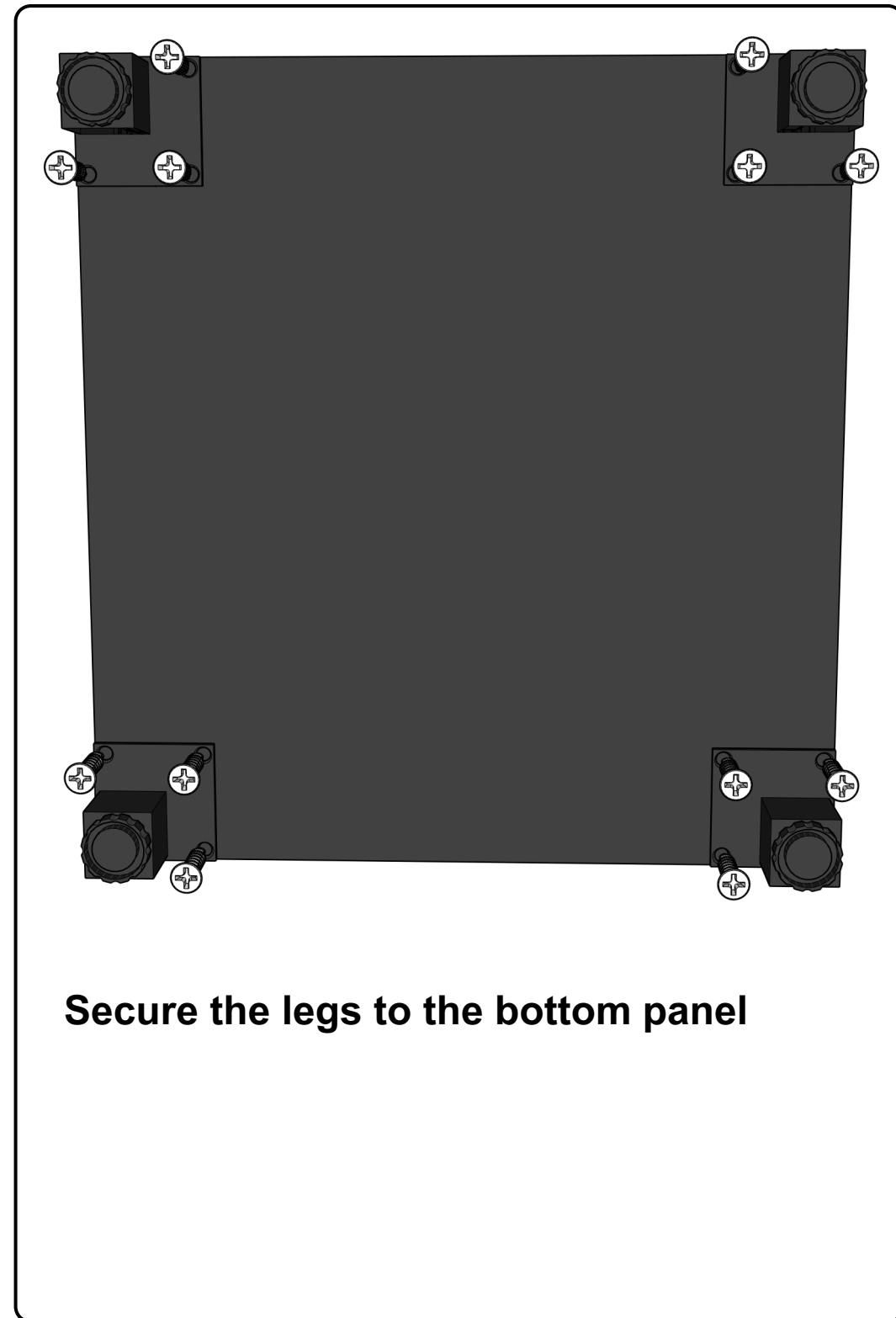
Caution! when rotating. Hand gap on this position to prevent the wood from snapping off.







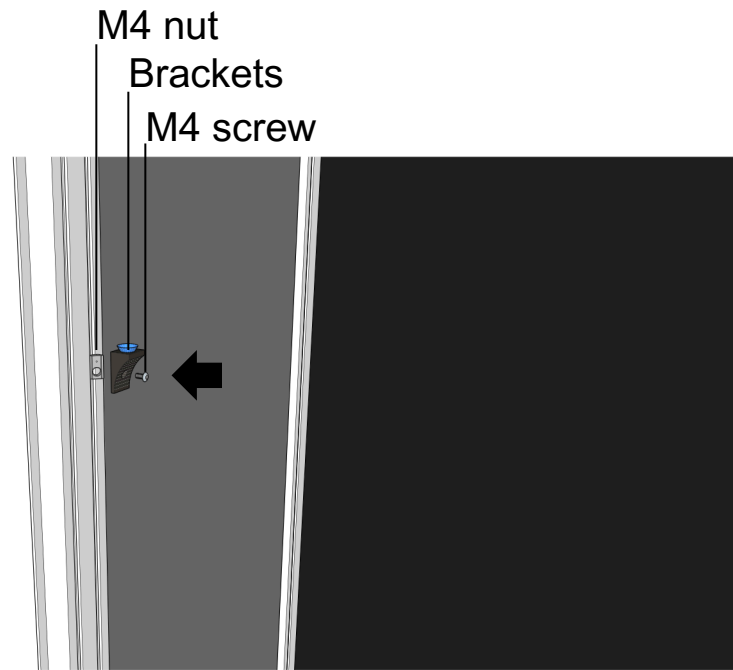
Step 6
Secure the Top panel



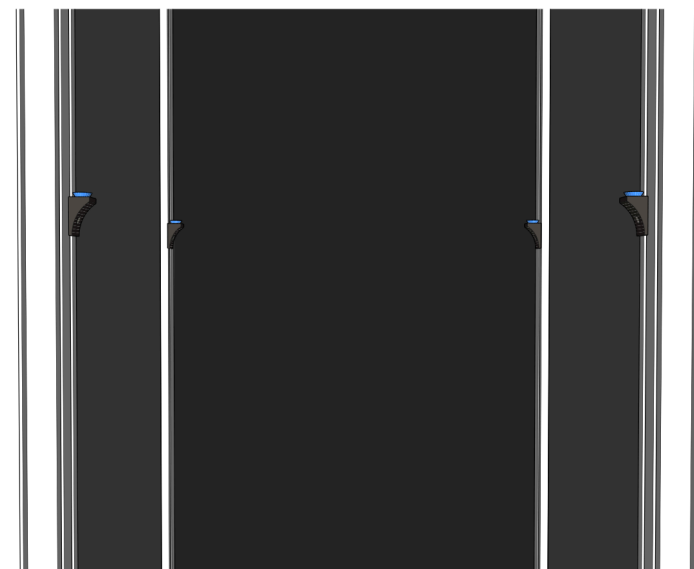
Step 7
Secure the Legs to the
bottom panel



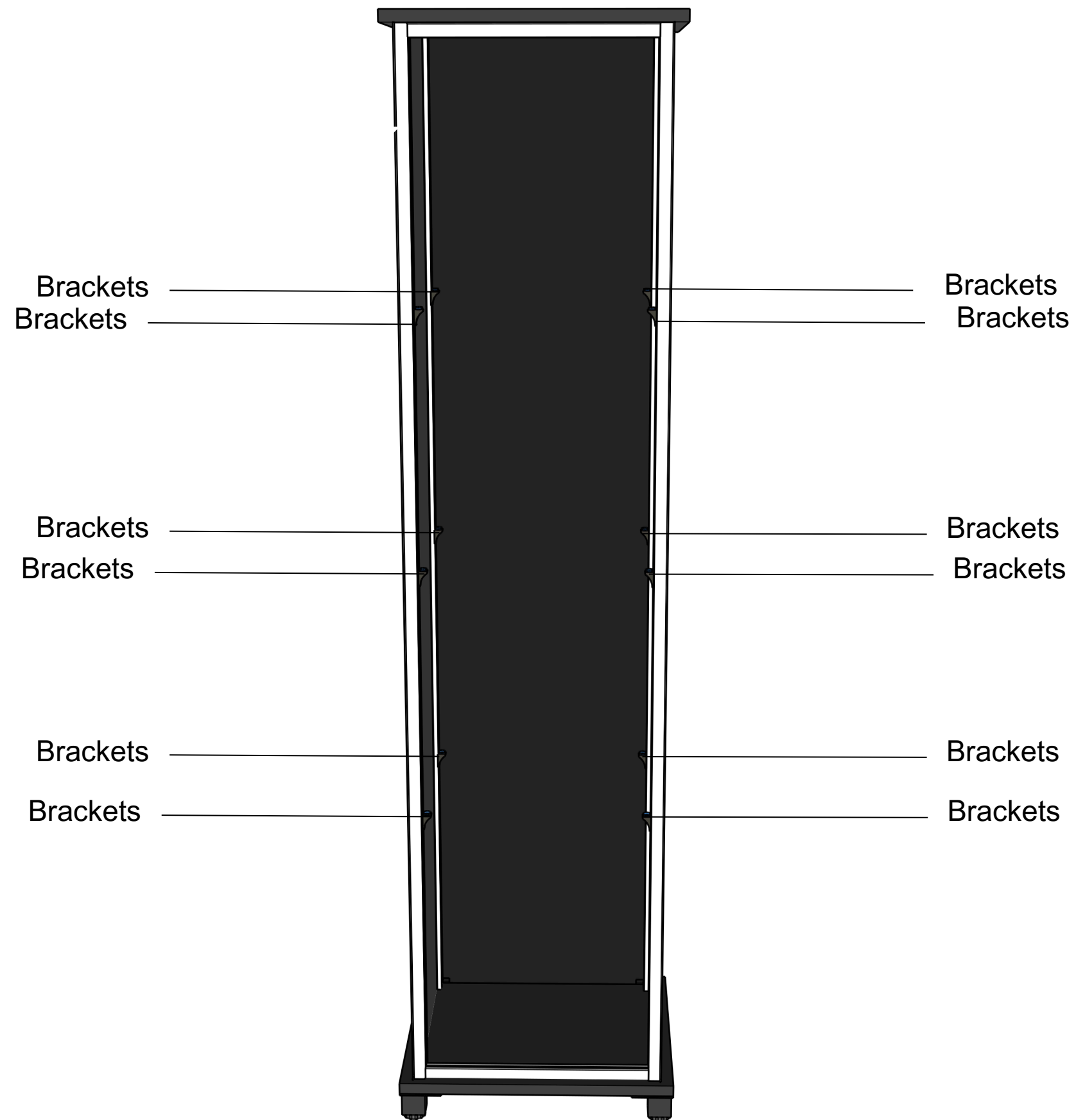
Rotate 90° to install the Legs



Insert the M4 nuts into the profile, secure the brackets to the vertical bars

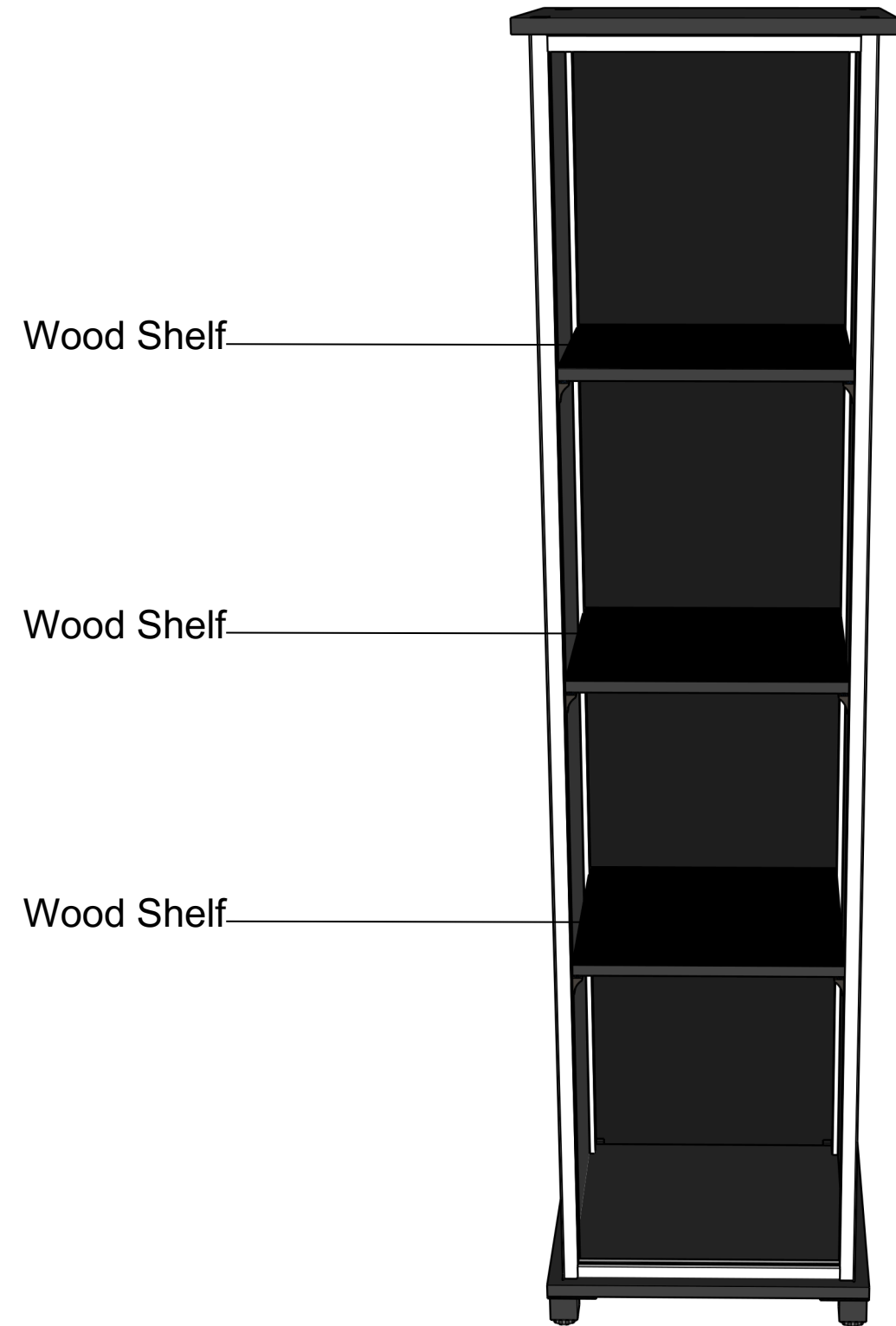


Secure the brackets the vertical bars

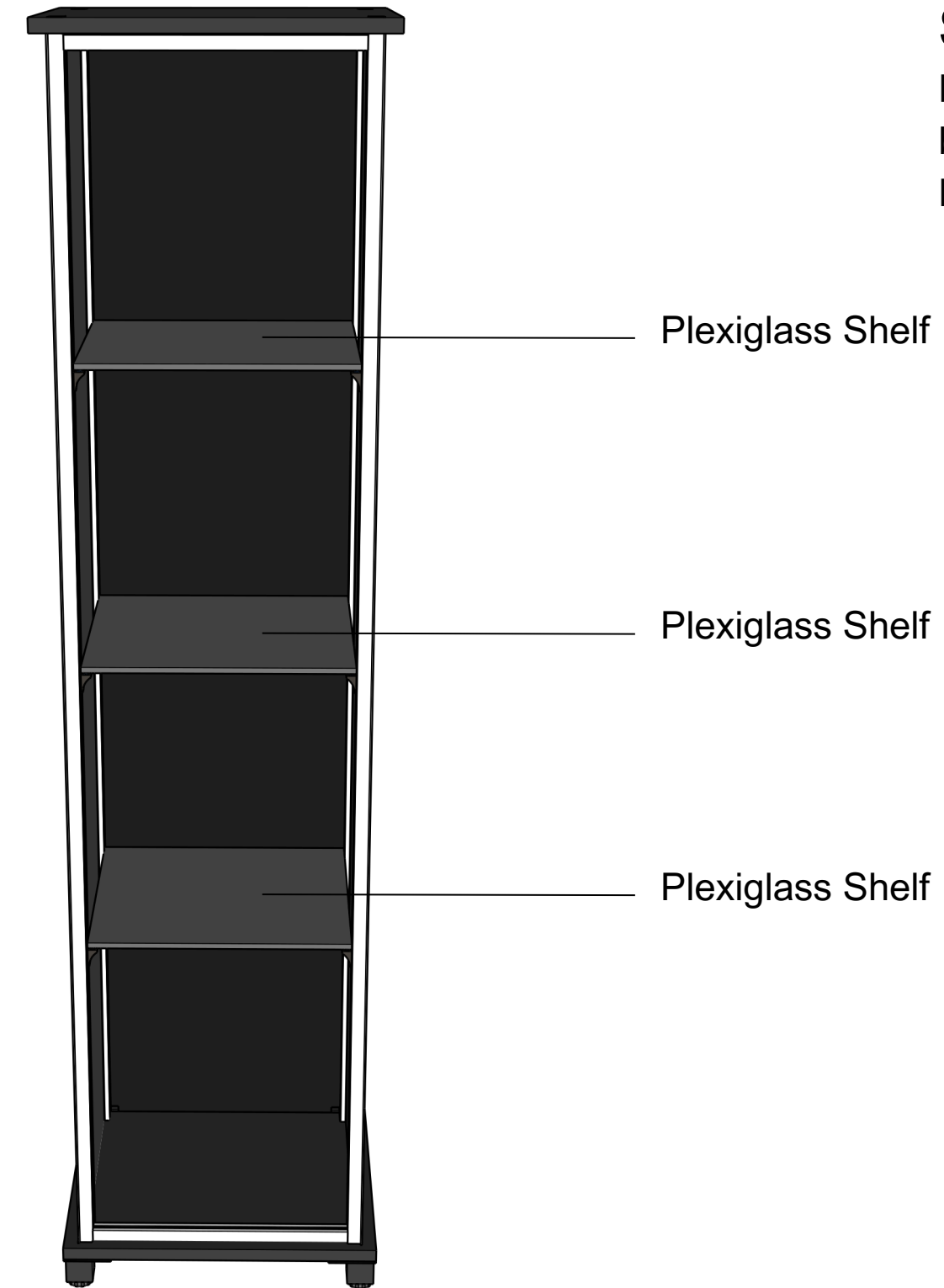


Step 8
Secure the shelf brackets

Wood Version



Plexiglass Version



Step 9

Place the shelves on the brackets (Wood or Plexiglass)

